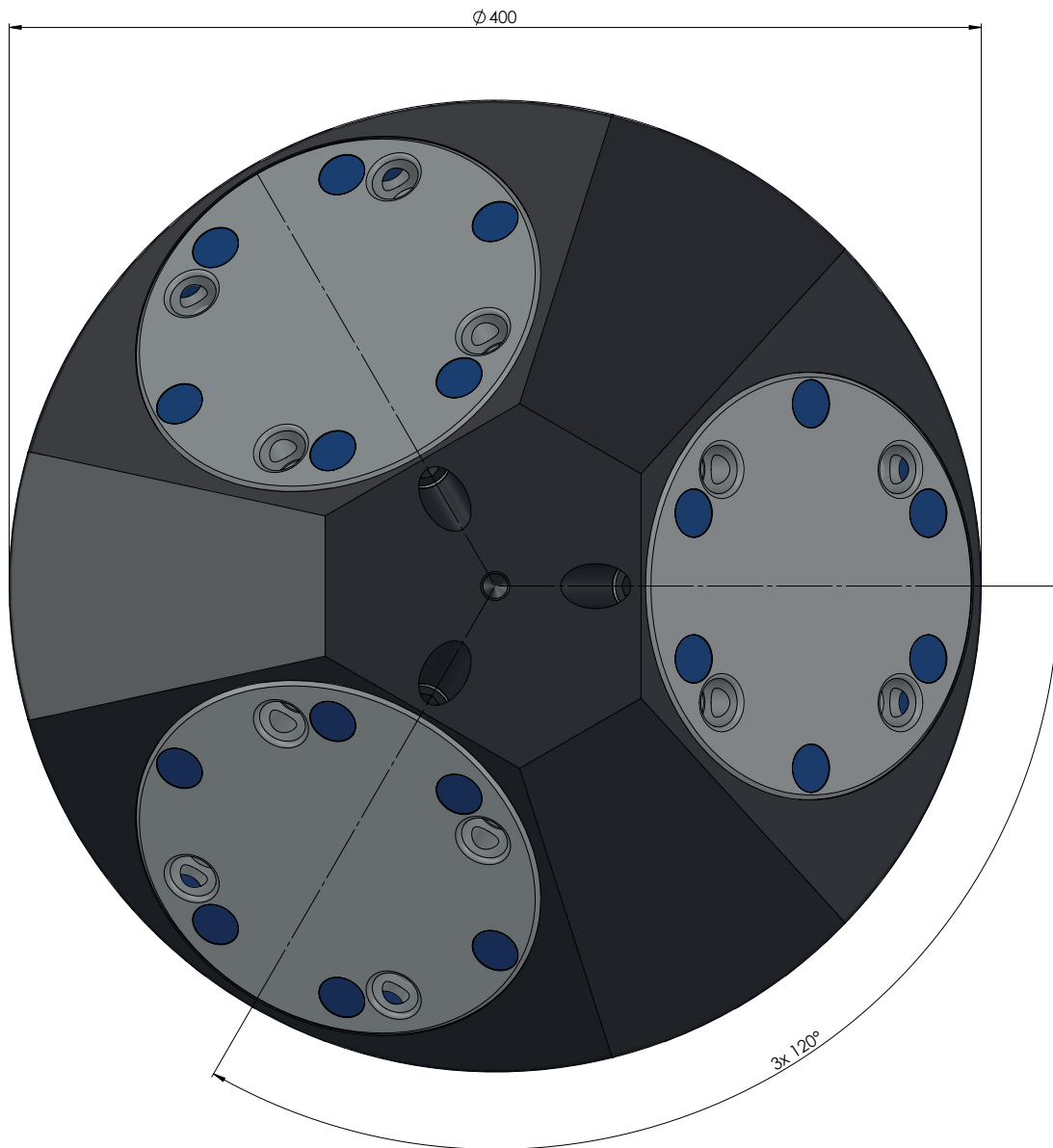
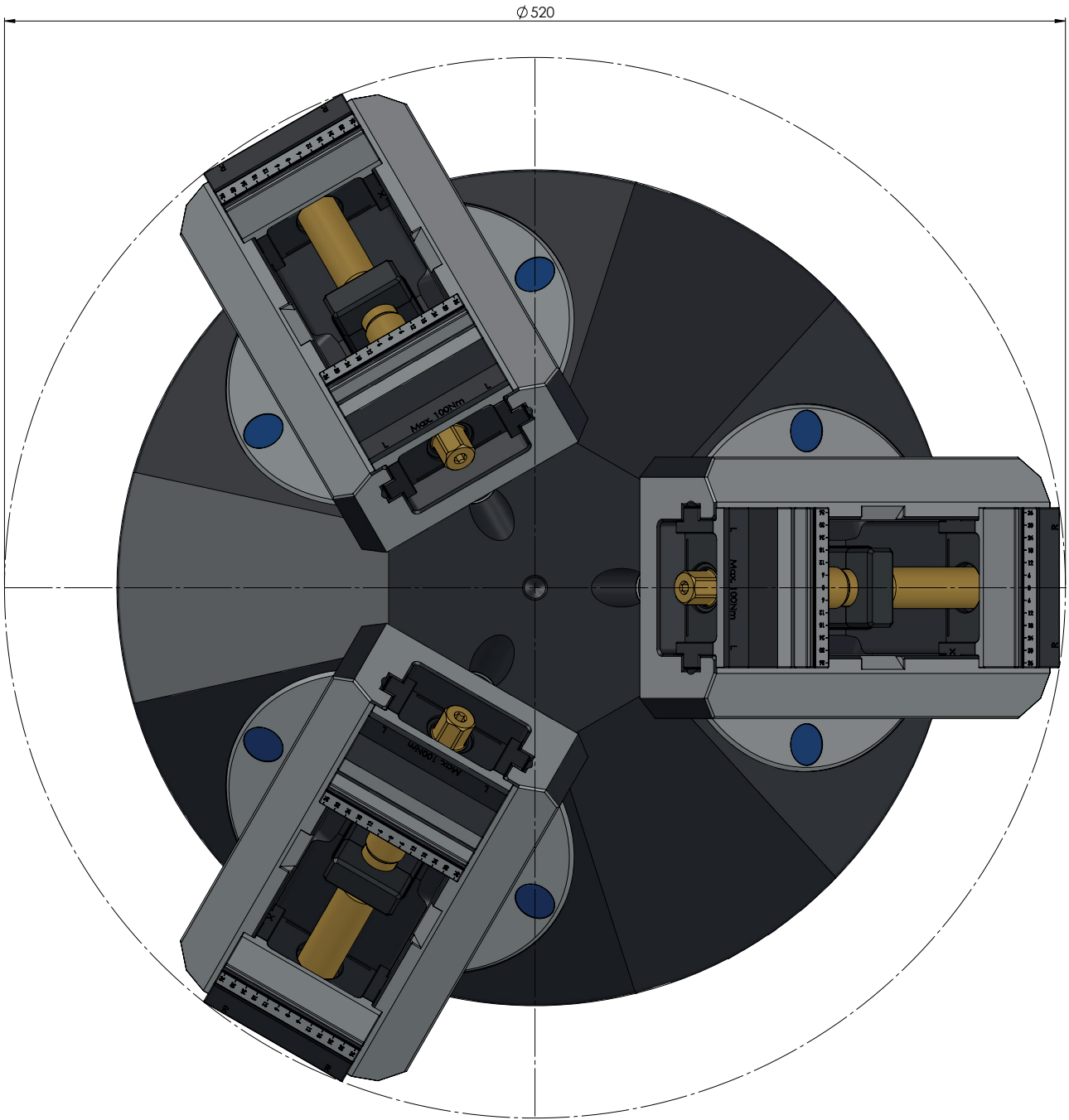


ITEM NO.	43400
DESCRIPTION	Quick-Point® 96, 3-face Pyramid, ø 400 x 150 mm
ISSUE DATE	04.05.2021

Page 1 / 4



ITEM NO.	43400
DESCRIPTION	Quick-Point® 96, 3-face Pyramid, ø 400 x 150 mm
ISSUE DATE	04.05.2021



ITEM NO.	43400
DESCRIPTION	Quick-Point® 96, 3-face Pyramid, ø 400 x 150 mm
ISSUE DATE	04.05.2021

