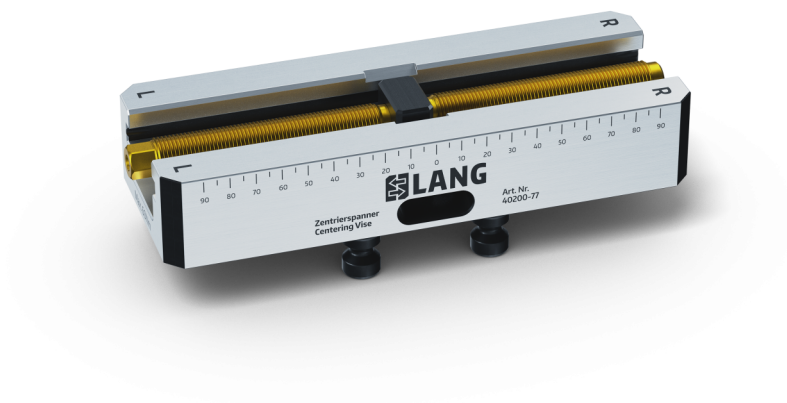


Centering Vise 77, Base

for jaw width 77 mm, base length 210 mm

Item No. 40200-77



Dimensions	210 x 77 x 38 mm (8.27" x 3.03" x 1.5")
Clamping method	by form-fit / by friction
Workpiece shape	prismatic / cylindrical / unshaped
Packaging Unit	1 Piece
Weight	3.5 kg (7.72 lbs)
Material	Steel

Centering Vise 77, Base

for jaw width 77 mm, base length 210 mm

Item No. 40200-77

