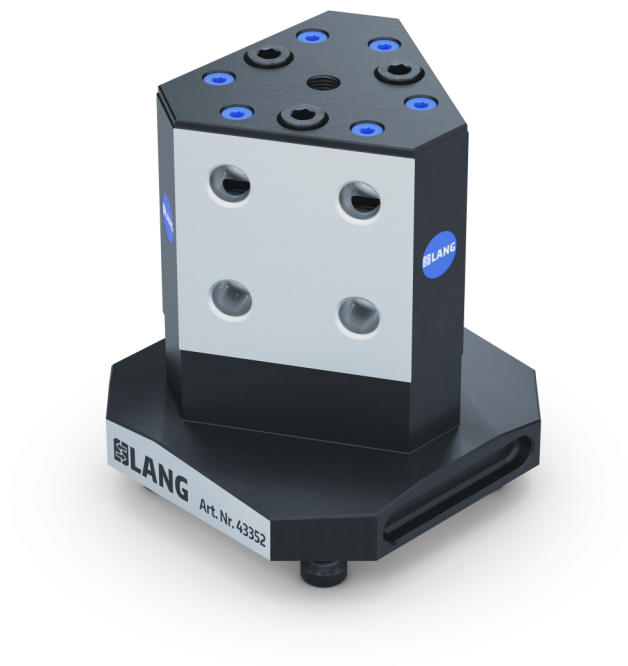


Quick-Point®, Tri-Top
3-Face-Tombstone

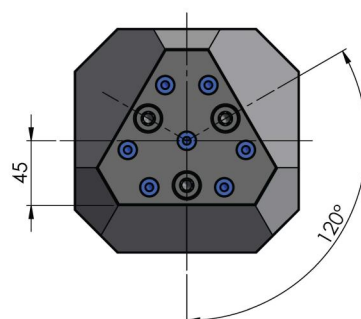
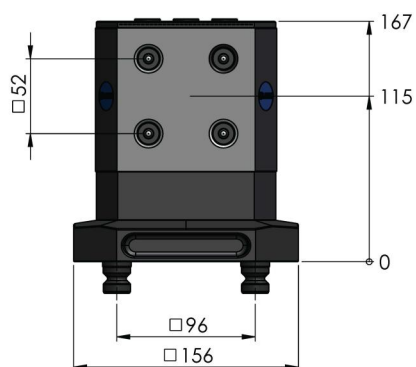
Item No. 43352



Dimensions foot	156 x 156 mm (6.14" x 6.14")
Total height	167 mm (6.57")
Type of machine	VMC
Packaging Unit	1 Piece
Weight	10 kg (22.05 lbs)
Material	Steel

3-Face-Tombstone

Item No. 43352



Quick-Point®, Tri-Top
3-Face-Tombstone

Item No. 43352

