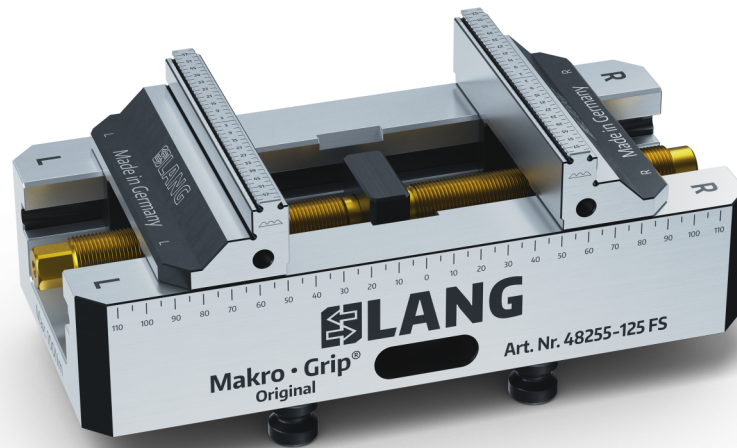


Makro-Grip® FS 125, 5-Axis Vise

Jaw width 125 mm, Clamping range 0 - 255 mm, with continuous / full serration



Item No. 48255-125 FS

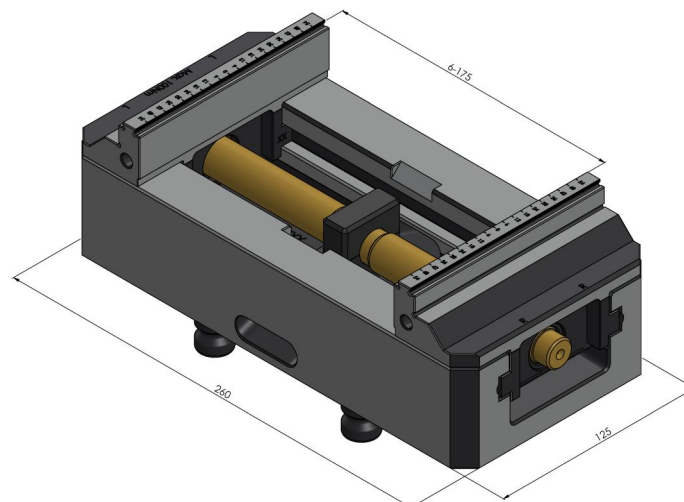
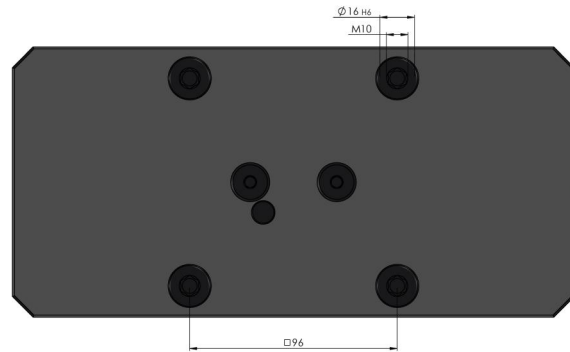


Clamping range	0 - 255 mm (0" - 10.04")
Dimensions	260 x 125 x 89 mm (10.24" x 4.92" x 3.5")
Clamping method	by form-fit / by friction
Workpiece shape	prismatic
Packaging Unit	1 Piece
Weight	12 kg (26.46 lbs)
Material	Steel

Makro-Grip® FS 125, 5-Axis Vise

Jaw width 125 mm, Clamping range 0 - 255 mm, with continuous / full serration

Item No. 48255-125 FS



Makro-Grip® FS 125, 5-Axis Vise

Jaw width 125 mm, Clamping range 0 - 255 mm, with continuous / full serration



Item No. 48255-125 FS

