

## Makro-Grip® FS 77, 5-Axis Vise

Jaw width 77 mm, Clamping range 0 - 120 mm, with continuous / full serration

Item No. 48120-77 FS

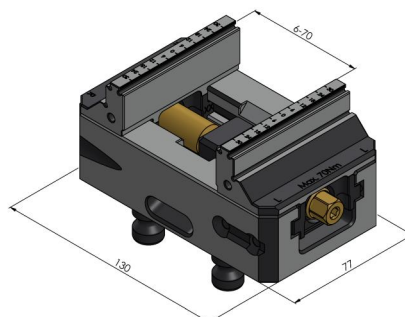
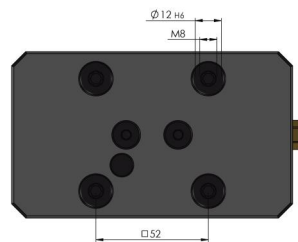


<b>Clamping range</b>	0 - 120 mm (0" - 4.72")
<b>Dimensions</b>	130 x 77 x 65 mm (5.12" x 3.03" x 2.56")
<b>Clamping method</b>	by form-fit / by friction
<b>Workpiece shape</b>	prismatic
<b>Packaging Unit</b>	1 Piece
<b>Weight</b>	2.9 kg (6.39 lbs)
<b>Material</b>	Steel

## Makro-Grip® FS 77, 5-Axis Vise

Jaw width 77 mm, Clamping range 0 - 120 mm, with continuous / full serration

Item No. 48120-77 FS



**Makro-Grip® FS 77, 5-Axis Vise**

Jaw width 77 mm, Clamping range 0 - 120 mm, with continuous / full serration

Item No. 48120-77 FS

