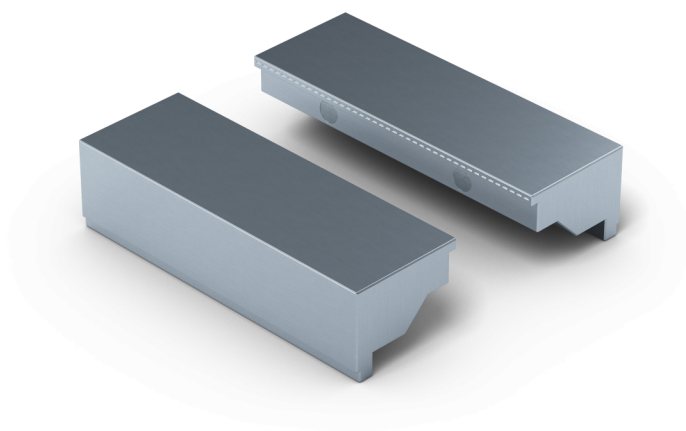


Makro-Grip® 125, Contour Jaws

jaw width 125 mm, for the outside

Item No. 48419-125



Dimensions

Jaw width: 125 mm (4.92") - Jaw length: 33 mm (1.3") - Jaw height: 40 mm (1.57")

Workpiece shape

prismatic / cylindrical / asymmetrical

Packaging Unit

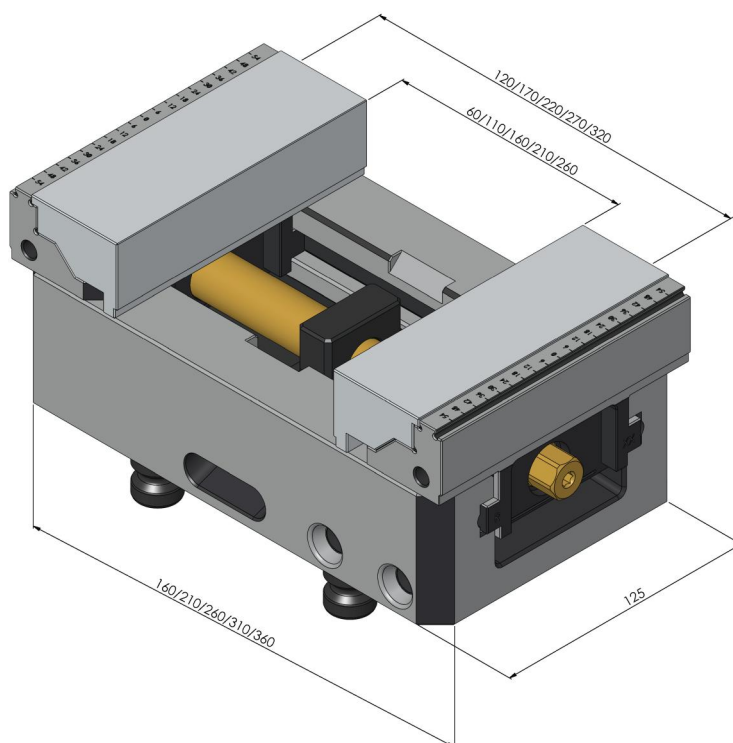
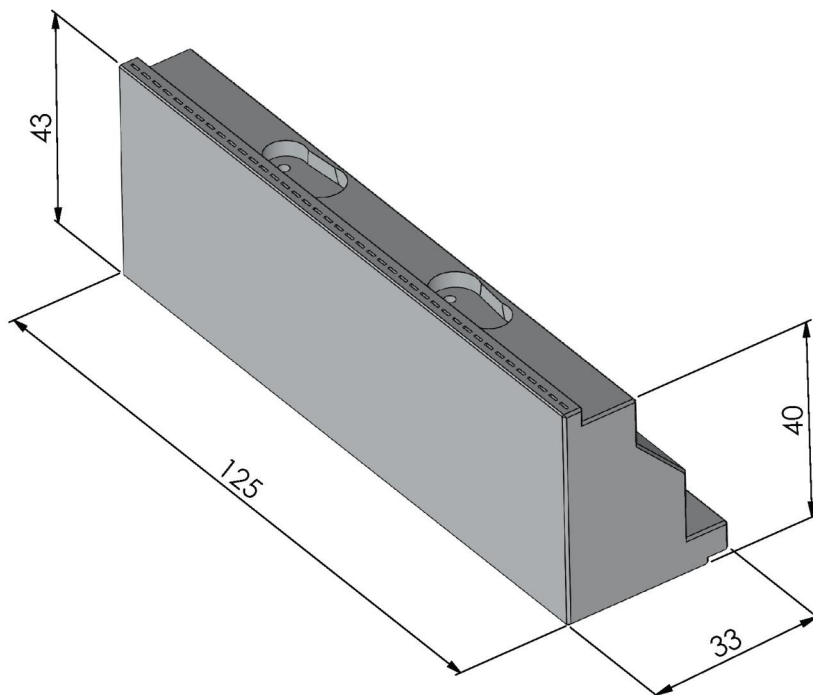
1 Pair

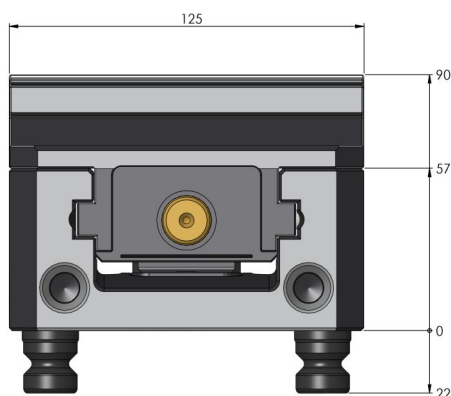
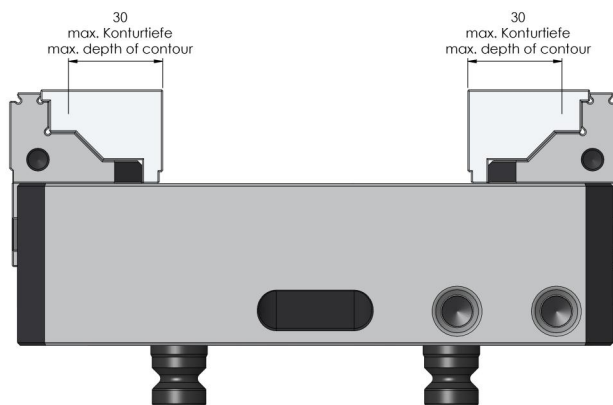
Weight

0.64 kg (1.41 lbs)

Material

Aluminium

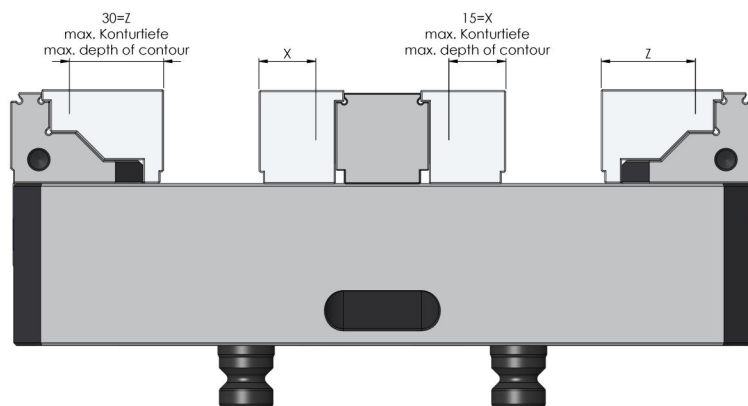
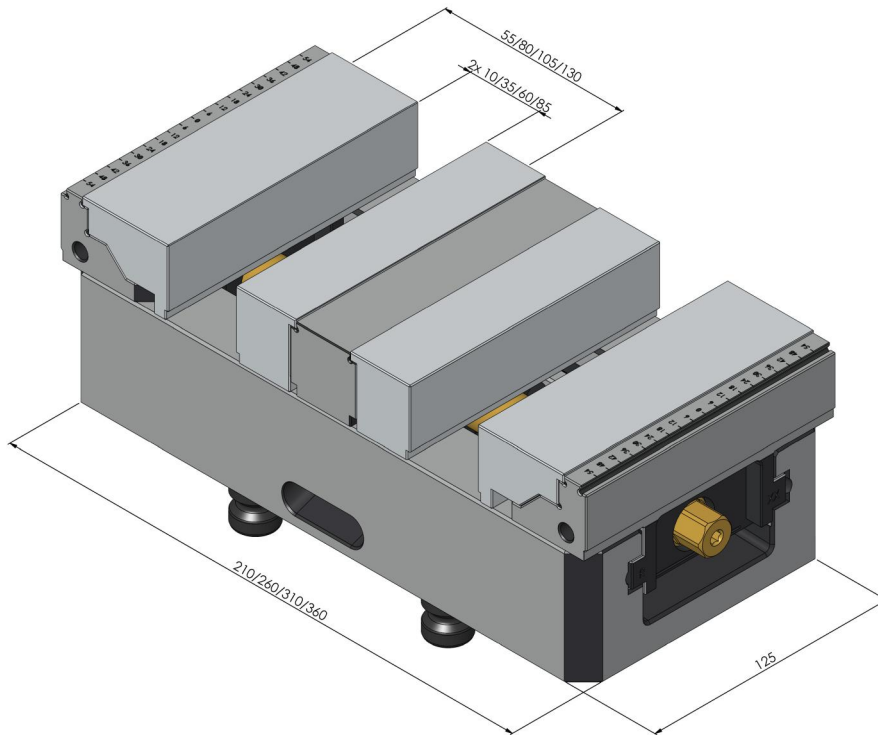




Makro-Grip® 125, Contour Jaws

jaw width 125 mm, for the outside

Item No. 48419-125



Makro-Grip® 125, Contour Jaws

jaw width 125 mm, for the outside

Item No. 48419-125

