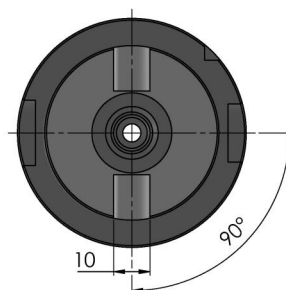
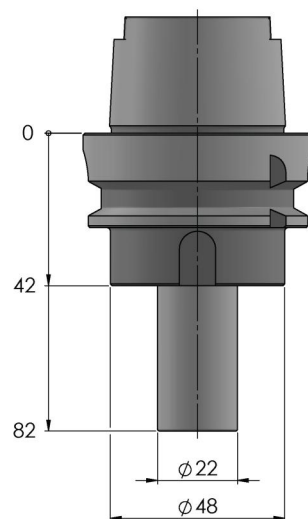


Type	Hollow taper shank
Tool length	ca. 247 mm (ca. 9.72productTableTwigFunctions.php)
Packaging Unit	1 Piece
Weight	0.92 kg (2.03 lbs)
Material	Steel



HAUBEX, Tool Holder

HSK-A63

Item No. 61500-HSK63

