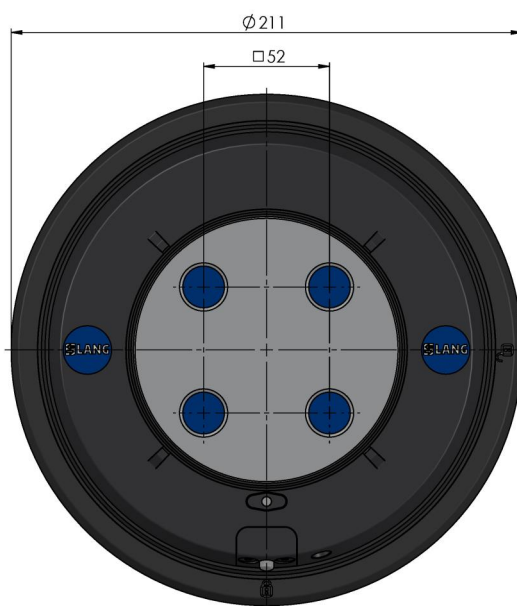
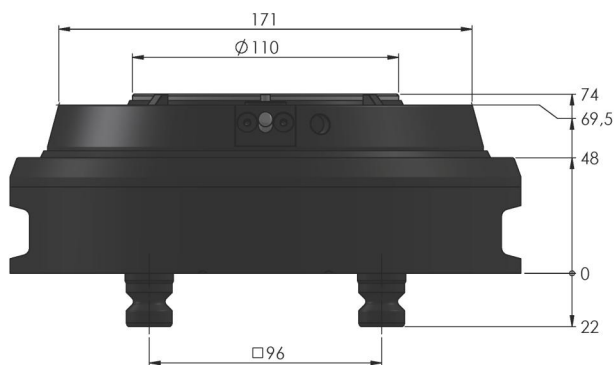




Dimensions	ø 211 x 74 mm (8.31" x 2.91")
Clamping type	Single clamping
Clamping units	1-fold
Clamping mechanisms	mechanical
Packaging Unit	1 Piece
Weight	8.9 kg (19.62 lbs)
Material	Steel



Quick-Point®, HAUBEX Zero-Point Clamping System

Ø 211 x 74 mm

Item No. 61110

