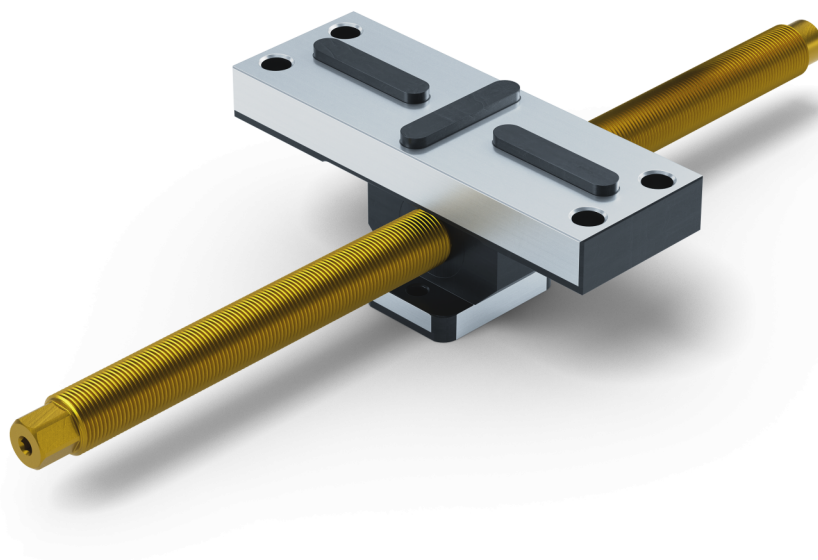


Profilo 125, Center Jaw + Spindle

jaw width 160 mm, spindle length 364 mm

Item No. 49250-TG125



Spindle length	364 mm (14.33")
Thread pitch	M20 x 1.5
Dimensions	Jaw width: 160 mm (6.3")
Workpiece shape	prismatic / cylindrical / asymmetrical
Packaging Unit	1 Piece
Weight	2.49 kg (5.49 lbs)
Material	Steel

Profilo 125, Center Jaw + Spindle

jaw width 160 mm, spindle length 364 mm

Item No. 49250-TG125

