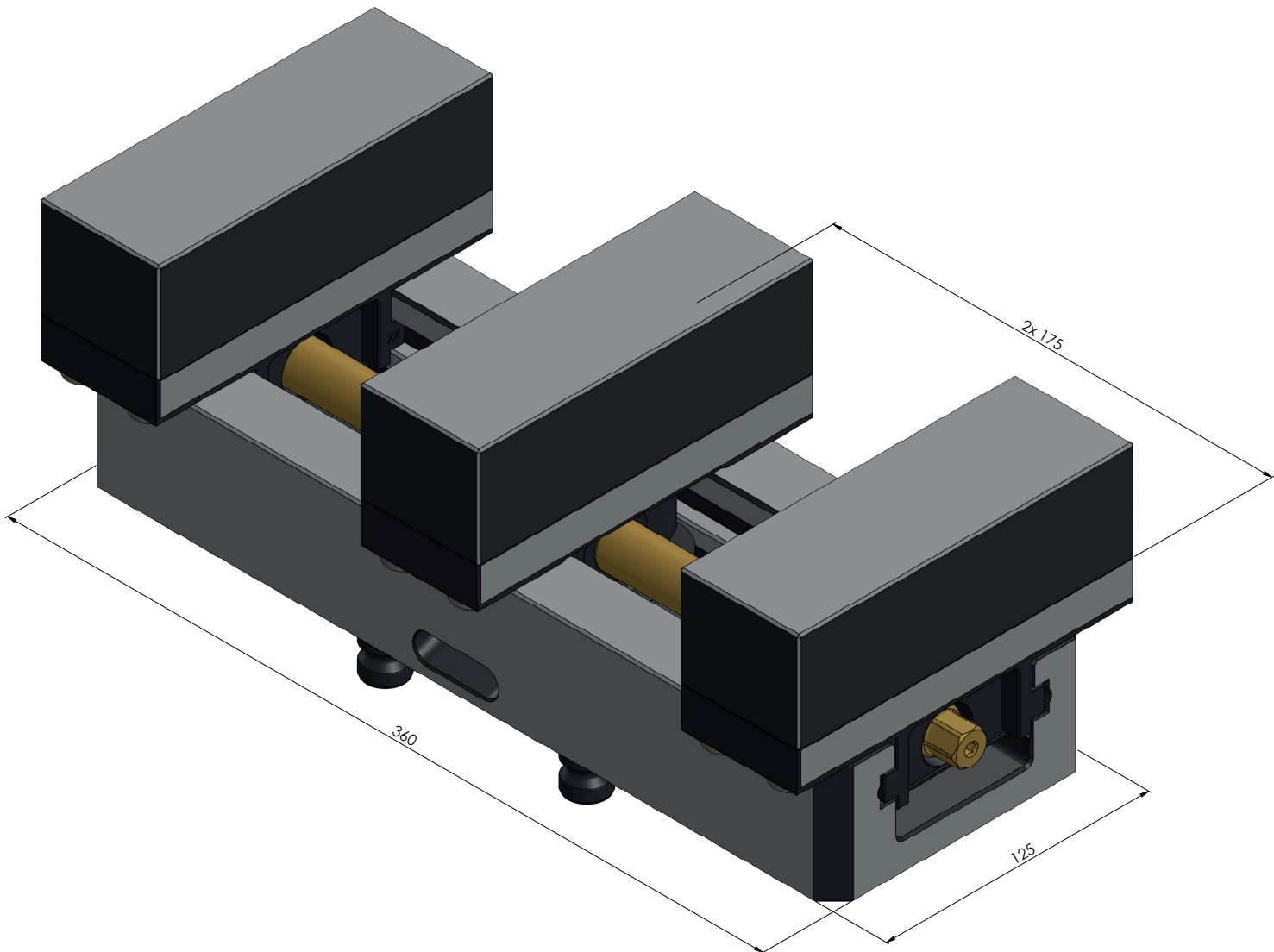


ITEM NO.	49250-TG125
DESCRIPTION	Profilo 125, Center Jaw + Spindle, Jaw width 160 mm, Spindle length 364 mm
ISSUE DATE	04.05.2021

Page 1 / 2



ITEM NO.	49250-TG125
DESCRIPTION	Profilo 125, Center Jaw + Spindle, Jaw width 160 mm, Spindle length 364 mm
ISSUE DATE	04.05.2021

Page 2 / 2