

Vario-Tec 77, Centering Vise

jaw width 77 mm, max. clamping range 97 mm

Item No. 42097-77

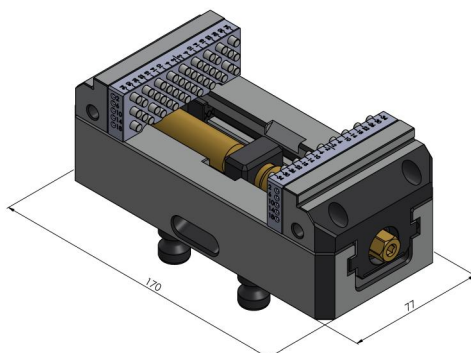
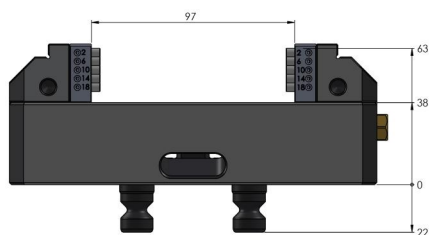


Clamping range	0 - 97 mm (0" - 3.82")
Dimensions	170 x 77 x 65 mm (6.69" x 3.03" x 2.56")
Clamping method	by friction
Workpiece shape	prismatic
Packaging Unit	1 Piece
Weight	4 kg (8.82 lbs)
Material	Steel

Vario-Tec 77, Centering Vise

jaw width 77 mm, max. clamping range 97 mm

Item No. 42097-77



Vario•Tec 77, Centering Vise

jaw width 77 mm, max. clamping range 97 mm

Item No. 42097-77

