

Profilo 125, Profile Clamping Vice

jaw width 160 mm, max. clamping range 255 mm

Item No. 49150-125

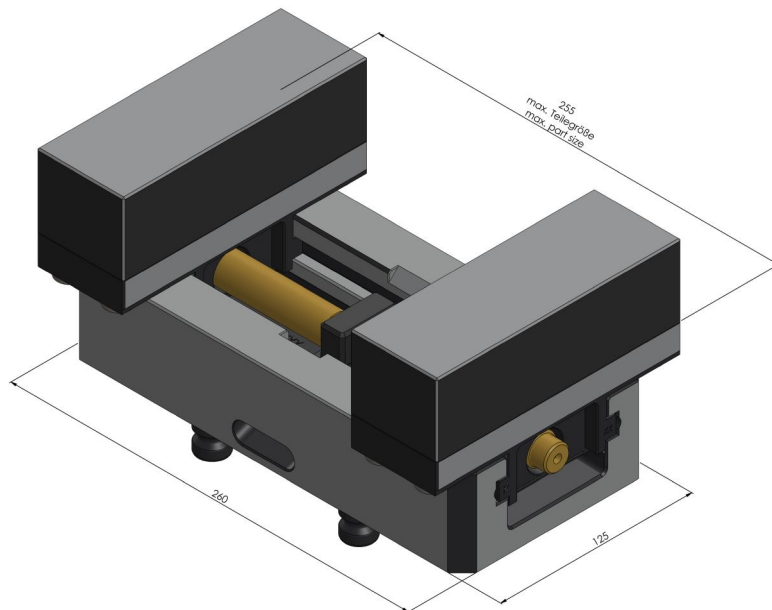
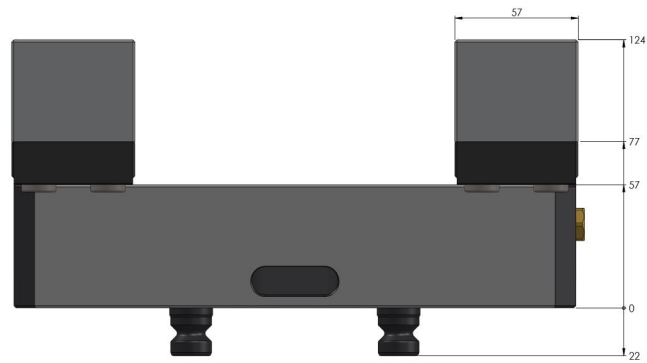


Clamping range	0 - 255 mm (0" - 10.04")
Dimensions	260 x 125 x 77 mm (10.24" x 4.92" x 3.03")
Clamping method	by friction
Workpiece shape	prismatic / cylindrical / asymmetrical
Packaging Unit	1 Piece
Weight	13.4 kg (29.54 lbs)
Material	Steel

Profilo 125, Profile Clamping Vise

jaw width 160 mm, max. clamping range 255 mm

Item No. 49150-125



Profilo 125, Profile Clamping Vice

jaw width 160 mm, max. clamping range 255 mm

Item No. 49150-125

