

Profilo 77, Profile Clamping Vice

jaw width 112 mm, max. clamping range 97 mm

Item No. 49010-77

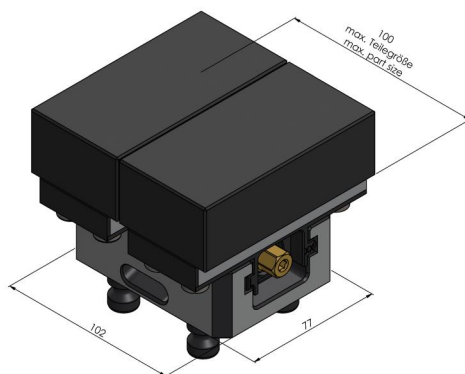
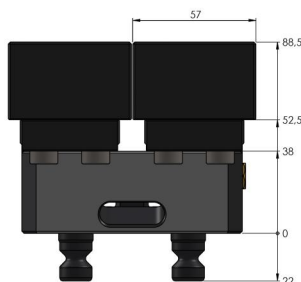


Clamping range	0 - 100 mm (0" - 3.94")
Dimensions	102 x 77 x 52.5 mm (4.02" x 3.03" x 2.07")
Clamping method	by friction
Workpiece shape	prismatic / cylindrical / asymmetrical
Packaging Unit	1 Piece
Weight	3 kg (6.61 lbs)
Material	Steel

Profilo 77, Profile Clamping Vise

jaw width 112 mm, max. clamping range 97 mm

Item No. 49010-77



Profilo 77, Profile Clamping Vice

jaw width 112 mm, max. clamping range 97 mm

Item No. 49010-77

