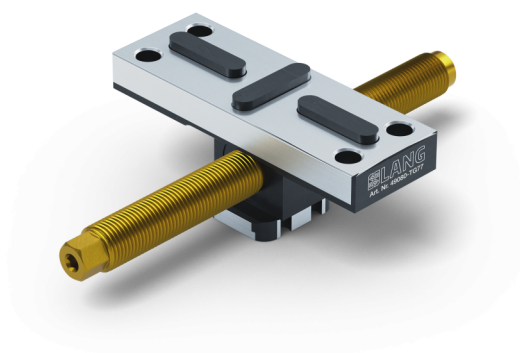


## Profilo 77, Center Jaw + Spindle

jaw width 112 mm, spindle length 175 mm

Item No. 49080-TG77



<b>Spindle length</b>	175 mm (6.89")
<b>Thread pitch</b>	M16 x 1.5
<b>Dimensions</b>	Jaw width: 112 mm (4.41") - Jaw length: 46 mm (1.81")
<b>Screw size</b>	M8
<b>Workpiece shape</b>	prismatic / cylindrical / asymmetrical
<b>Packaging Unit</b>	1 Piece
<b>Weight</b>	0.81 kg (1.79 lbs)
<b>Material</b>	Steel

Profilo 77, Center Jaw + Spindle

jaw width 112 mm, spindle length 175 mm

Item No. 49080-TG77

