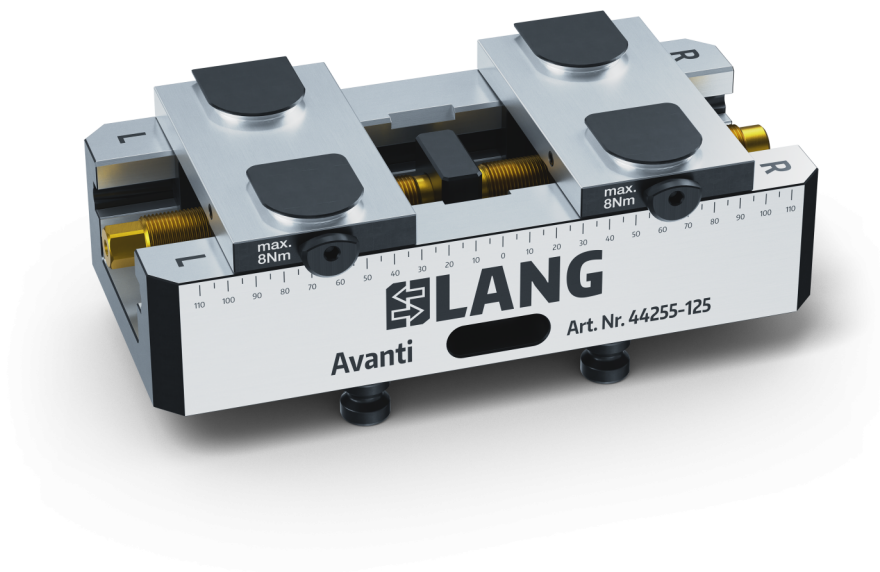


Avanti 125, Profile Clamping Vice

jaw width 125 mm, max. clamping range 255 mm

Item No. 44255-125

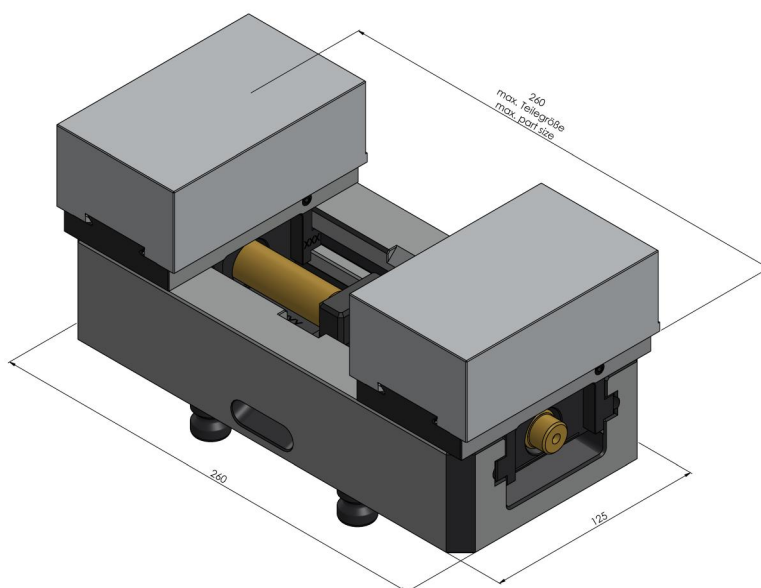
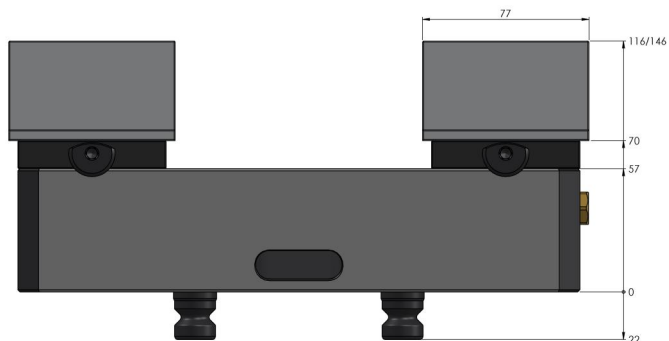


Clamping range	0 - 260 mm (0" - 10.24")
Dimensions	260 x 125 x 70 mm (10.24" x 4.92" x 2.76")
Clamping method	by friction
Workpiece shape	prismatic / cylindrical / asymmetrical
Packaging Unit	1 Set
Weight	13.1 kg (28.88 lbs)
Material	Steel

Avanti 125, Profile Clamping Vice

jaw width 125 mm, max. clamping range 255 mm

Item No. 44255-125



Avanti 125, Profile Clamping Vice

jaw width 125 mm, max. clamping range 255 mm

Item No. 44255-125

