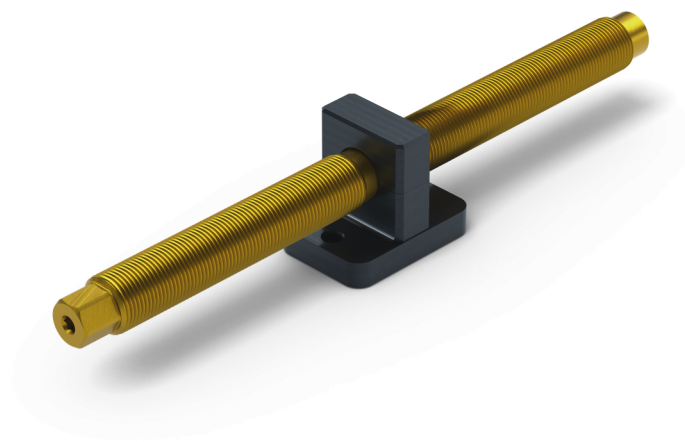


Makro-Grip® 125, Spindle + Center Piece

spindle length 264 mm

Item No. 4825264



Spindle length	264 mm (10.39")
Thread pitch	M20 x 1.5
Workpiece shape	prismatic / cylindrical / asymmetrical
Packaging Unit	1 Piece
Weight	0.75 kg (1.65 lbs)
Material	Steel

Makro-Grip® 125, Spindle + Center Piece
spindle length 264 mm

Item No. 4825264

