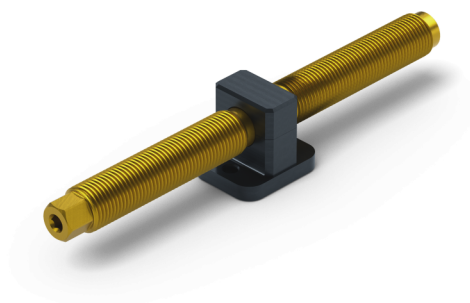


**Makro-Grip® 77, Spindle + Center Piece**  
spindle length 175 mm

Item No. 4877175



<b>Spindle length</b>	176 mm (6.93")
<b>Thread pitch</b>	M16 x 1.5
<b>Workpiece shape</b>	prismatic / cylindrical / asymmetrical
<b>Packaging Unit</b>	1 Piece
<b>Weight</b>	0.3 kg (0.66 lbs)
<b>Material</b>	Steel

**Makro-Grip® 77, Spindle + Center Piece**  
spindle length 175 mm

Item No. 4877175

